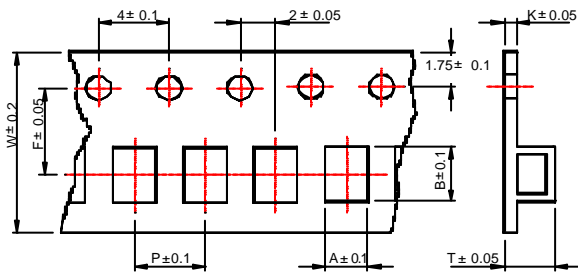
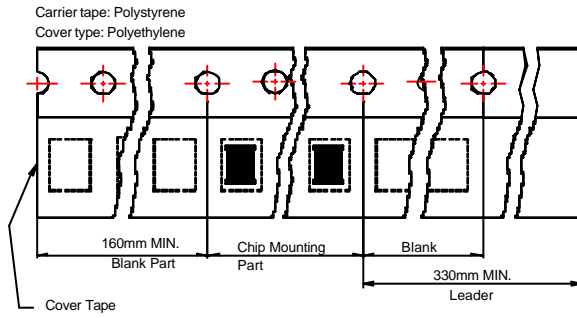


## Packaging Specifications

**Tape Dimensions**

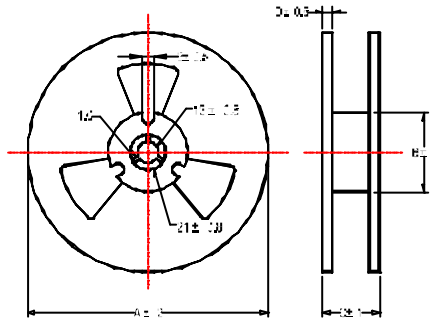


**Tape Material**

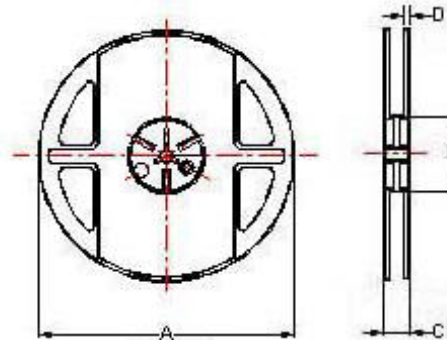


**Reel Dimensions**

**Figure 1**



**Figure 2**



**Dimensions in mm**

TYPE	Tape Dimensions							Reel Dimensions				Quantity /Reel	
	A	B	T	W	P	F	K	Fig	A	B	C		D
NL322522	2.96	3.60	2.40	8	4	3.5	0.23	2	178	60	12	1.5	2000
NL453232	3.30	5.00	3.50	12	8	5.5	0.30	2	178	60	16	1.4	500