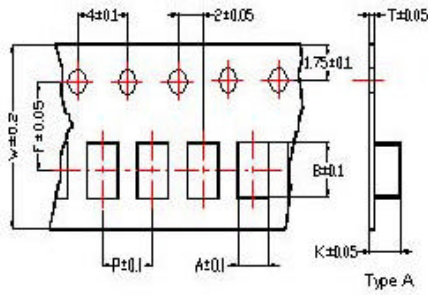


Packaging Specifications

Tape Dimensions



Tape Material

Cover type : Polystyrene
 Carrier tape: Polystyrene
 Cover type: Polyethylene

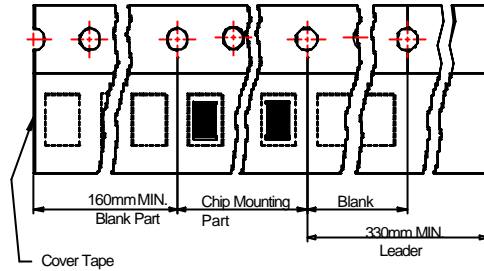
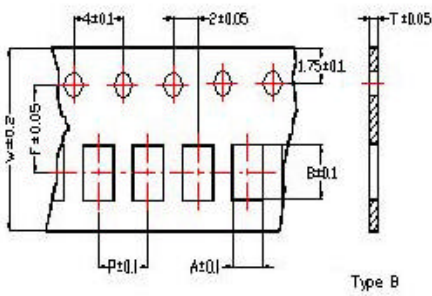
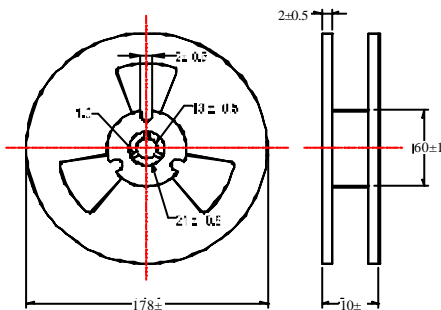


Figure B



Carrier Tape: Polystyrene (for 201209, 201212, 321611 series)
 Paper (for 160808)

Reel Dimensions



Dimensions in mm

TYPE	Tape Dimensions								Reel Dimensions				Quantity/Reel
	A	B	T	W	P	F	K	TapeTyp.	A	B	C	D	
JMF160808	1.05	1.85	0.95	8.0	4.0	3.5	-	B	178	60	10	1.5	4000
JMF201209	1.42	2.25	0.22	8.0	4.0	3.5	1.04	A	178	60	10	1.5	4000
JMF201212	1.35	2.25	0.22	8.00	4.00	3.50	1.35	A	178	60	10	1.5	3000
JMF321611	1.88	3.50	0.22	8.0	4.0	3.5	1.27	A	178	60	10	1.5	3000