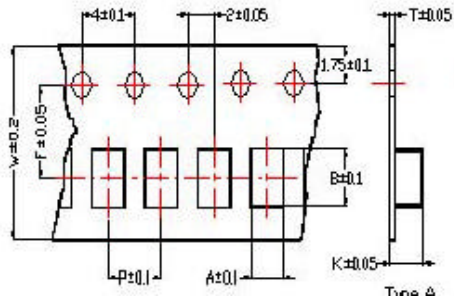


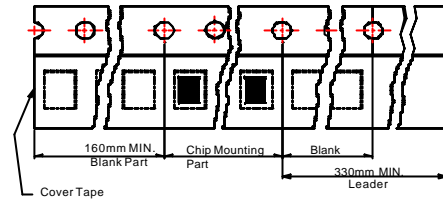
Packaging Specifications

Tape Dimensions

Figure A



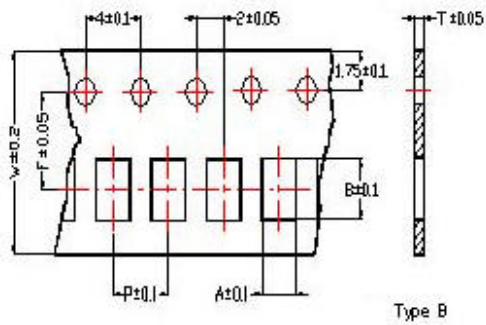
Tape Material



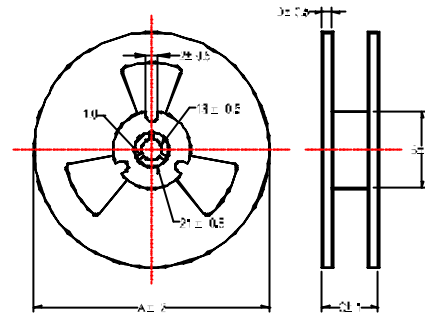
Carrier tape: Polystyrene for 2012
Paper for 1608, 1005

Cover type: Polystyrene

Figure B



Reel Dimensions



Dimensions in mm

TYPE	Tape Dimensions								Reel Dimensions				Recommended Pattern			Quantity /Reel
	Tape	A	B	T	W	P	F	K	A	B	C	D	A	B	C	
JMC1005	B	0.65	1.15	0.60	8	2	3.5		178	60	12	1.5	0.4	1.2 ~ 1.4	0.4	10000
JMC1608	B	1.00	1.80	0.95	8	4	3.5		178	60	12	1.5	0.8	2.4 ~ 3.4	0.6	4000
JMC2012	A	1.42	2.25	0.22	8	4	3.5	1.04	178	60	12	1.5	1.2	3.0 ~ 4.0	1.0	4000